

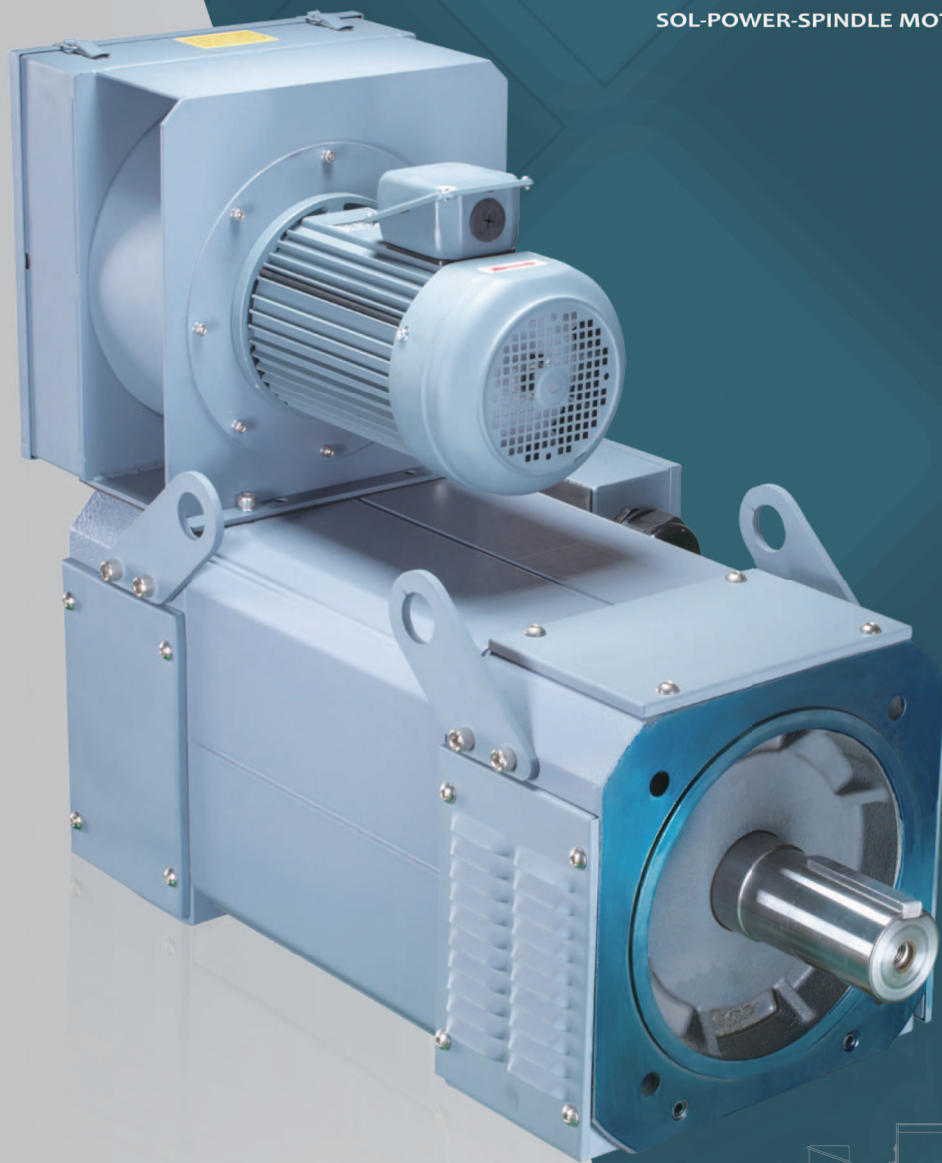


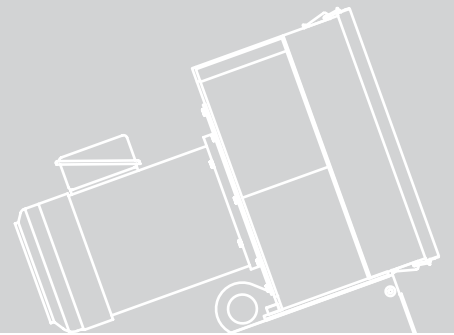
SOLPOWER MACHINE
ELECTRONIC CORP.

SVMA

SOL-POWER-ASYNCHRONOUS-SERVO MOTOR

SOL-POWER-SPINDLE MOTOR(IP23)





經營理念

品質

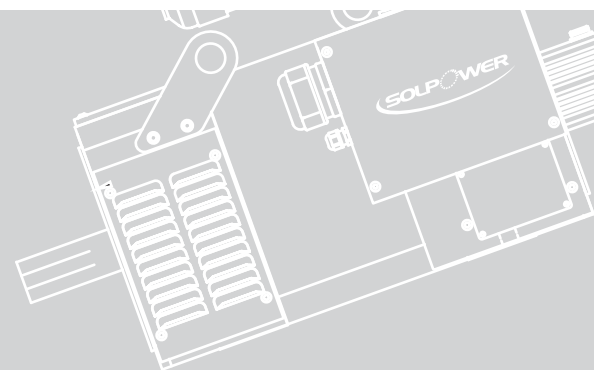
提供優良的高階伺服馬達、高精密檢測設備及嚴謹的 SOP 控管生產流程，致力高效率、高品質及低售服率為訴求，是晟昌機電不斷進步的動力

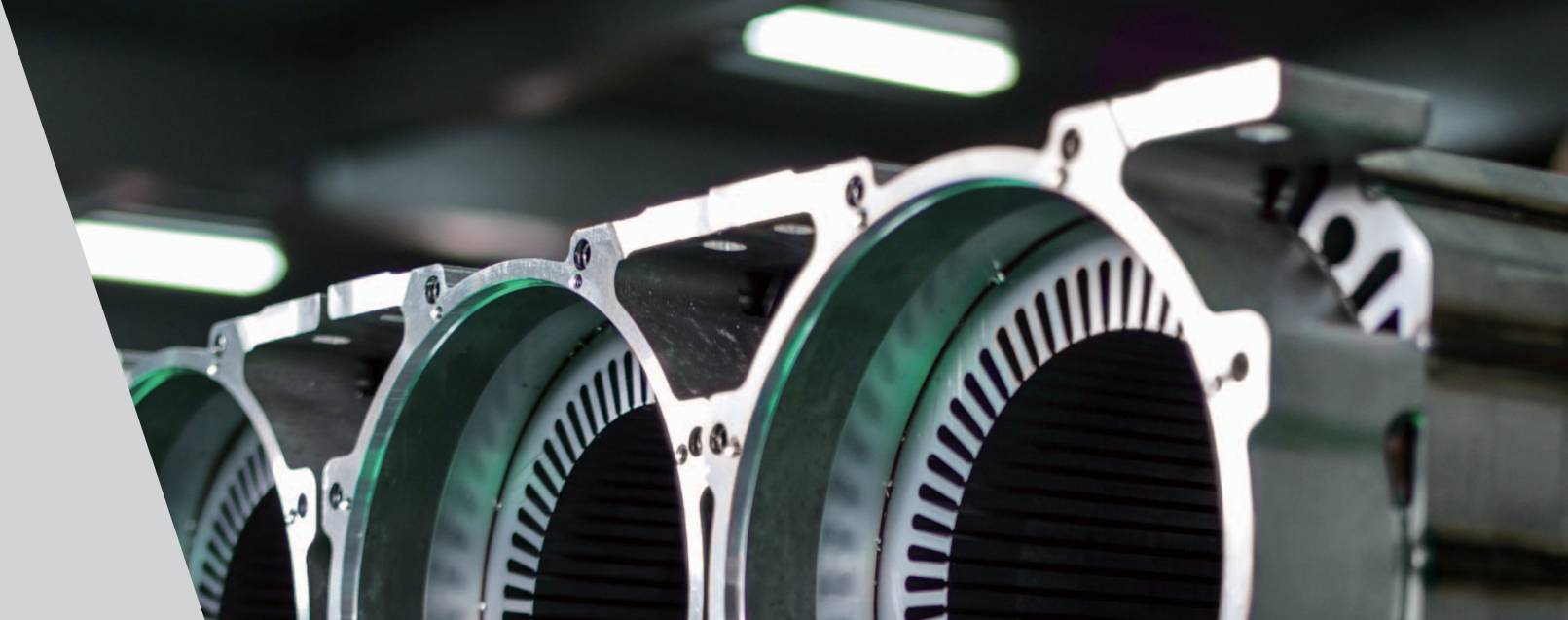
服務

提供完善的服務網路及滿足客戶的標準化及客制化馬達需求，以誠信作為服務基礎，積極開拓國際版圖

創新

以札實的技术核心，垂直整合研發及技術製程，因應市場的變動，提供卓越的产品提升产业附加价值，与客户共创双赢





MANAGEMENT PHILOSOPHY

Quality

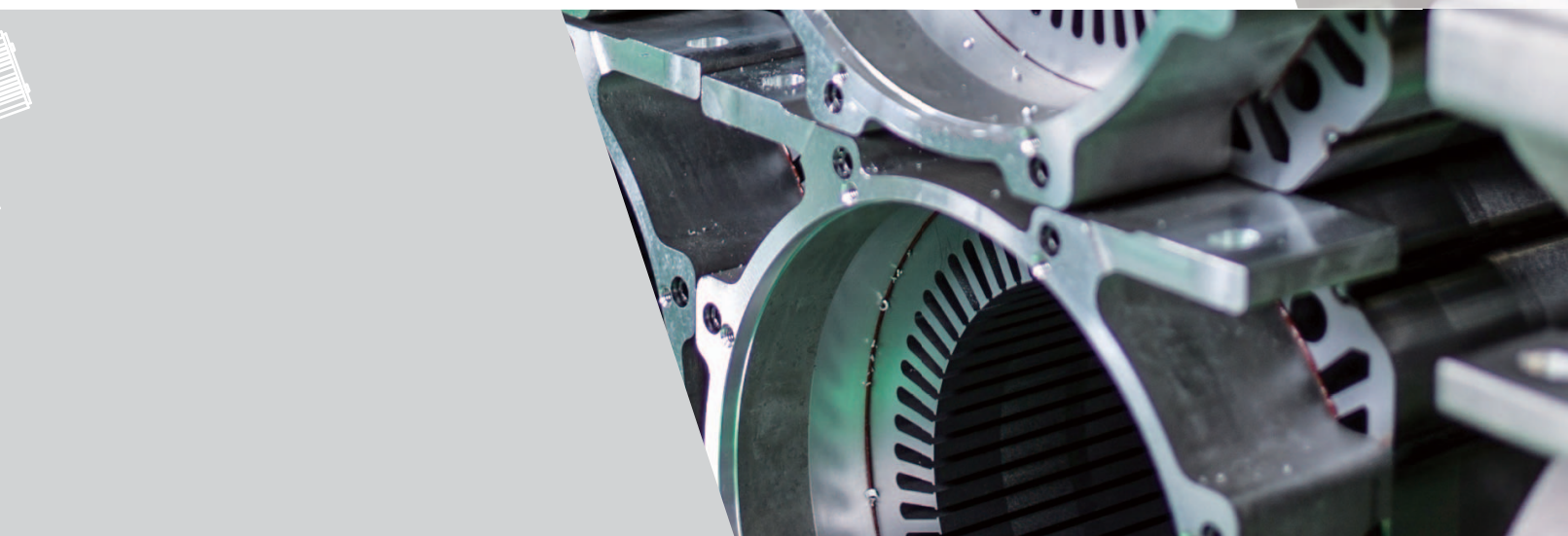
For providing excellent high-class servo motors, high precise detecting instrument and strict SOP to control product process, we strive for offering high efficiency, quality and low after-care service rate so that we have motivation for continuous improvement.

Service

Based on the concept of credibility, we provide complete service network and satisfy standard and customized necessities from customers to expand international market.

Innovation

In order to create mutual beneficial solution between customers and us, we have steady technical core, vertical integrate research, development and technical process for providing outstanding products to upgrade industrial additional value.



SOLP

公司簡介

晟昌機電股份有限公司成立於 1995 年，成立初鑑於台灣工具機出口值在世界排名第四、第五，卻沒有自己的主軸馬達控制器。關鍵性零性需仰賴進口，整體而言相當可惜，當初即整合國內外優質的控制器與驅動器，研發各式產業機械專用馬達，涵蓋感應伺服馬達、同步伺服馬達、線性馬達、DD 馬達及內藏式定轉子，由於產品特性與品質媲美，歐、美、日本主軸馬達，在國內外廣為工具機及控制器大廠所使用，並外銷世界三十餘國家(中、德、日、義、美、瑞士、韓國、波蘭、印度等)受到國內、外客戶的讚賞。

晟昌機電創業至今，不斷提升產品精度與穩定性，滿足各種市場及客戶需求，積極研發符合趨勢的新產品，開拓國際市場，多年來始終堅持著“品質、服務、創新”的經營理念，以創新技術與穩定的產品品質，在此基礎上，展望未來，持續投入研發，與合作夥伴共同努力、共同成本為傳動業創造出更璀璨的未來。





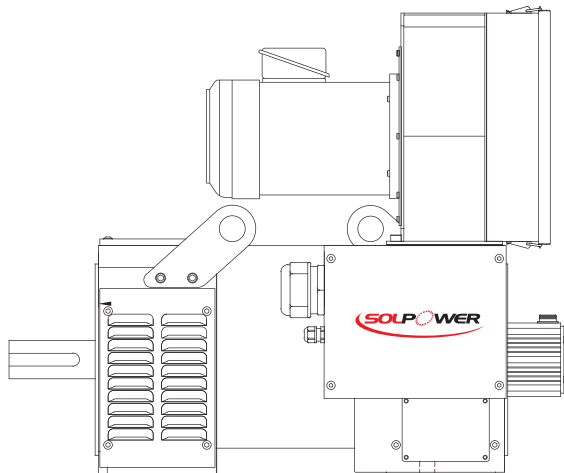
COMPANY PROFILE

was founded in 1995. In consideration of world ranking of Taiwan tool machine export, the Forth and Fifth place, it was a pity that Taiwan tool machinery companies have no their own spindle motor controllers and the key components need to be imported. CHENG CHANG initially integrated high quality controllers and drivers and developed spindle motors including induction servo motors, synchronous servo motors, linear motors, DD motors and build-in stator and rotor specifically for general industrial machine. Owing to the outstanding product characteristics and quality, which is compared favorably with spindle motors made in Europe, America, and Japan to gain very good feedback from customers, our motors export to thirty nations including China, Germany, Japan, Italy, U.S.A., Switzerland, Korea, Poland, India in the world.

Since establishment, Cheng Chang Machine Electronic Corp. continually promote precision and stability of products to research and develop new products in the trend to expand international market for meeting a variety of markets and customers' necessary. We have insisted on the business management ideas, "quality, service, and innovation", for many years to improve technology and steady quality of products. In the future, we will keep putting in more efforts in research and development to create a resplendent future for transmission industry and to achieve the mission of Energy Efficiency and Carbon Reduction.

SVMA

感應伺服馬達特性





經典的工藝 · 精銳的演出
Classical process National elite performances

SOL-POWER-ASYNCHRONOUS-SERVO MOTOR
SOL-POWER-SPINDLE MOTOR(IP23)

- A. 基底頻率以上，高速運轉維持定馬力輸出，有廣域的定功率輸出特性
- B. 基底頻率以下，低速運轉時保持相當平穩線性的磁場，以維持定轉矩輸出
- C. 特殊繞線設計及絕緣等級，使驅動器做載波伺服控制時不會破壞線圈絕緣
- D. 使用高階矽鋼片，馬達在使用範圍內，維持著線性控制的優良伺服特性
- E. 特殊磁路設計與磁場分析，馬達在使用範圍內不會產生磁場飽和現象大大提高馬達的伺服特性及降低因突波電流對馬達及驅動器的損害
- F. 以先進精密技術為設計規範，伺服馬達有相當高的功率體積比
- G. 良好的轉動慣量設計，使馬達在鋼性攻牙時，能有高度的響應特性
- H. 精密定轉子槽形設計，馬達在定位控制時，快速平滑，不會因突波磁場而產生跳動情形。以上是變頻馬達所沒有的特性



Asynchronous

SVMA-132 SERIES

Servo motors with 4 poles
Rated power output 15~55kw

1~2

Asynchronous

SVMA-160 SERIES

Servo motors with 4 poles
Rated power output 45~90kw

3~4

Asynchronous

SVMA-180 SERIES

Servo motors with 4 poles
Rated power output 60~170kw

5~6



Asynchronous

SVMA-225 SERIES

Servo motors with 4 poles
Rated power output 110~288kw

7~8

Asynchronous

SVMA-280 LOWER INERTIA SERIES

Servo motors with 4 poles
Rated power output 100~265kw

9~10

Asynchronous

SVMA-280 MIDDLE INERTIA SERIES

Servo motors with 4 poles
Rated power output 143~550kw

11~12

SVMA

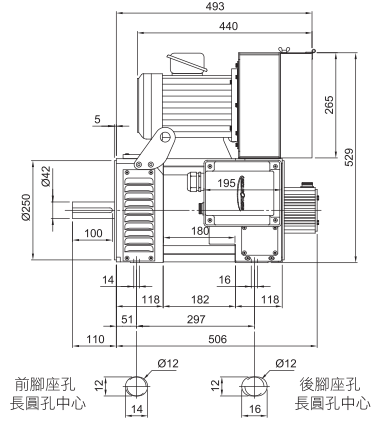
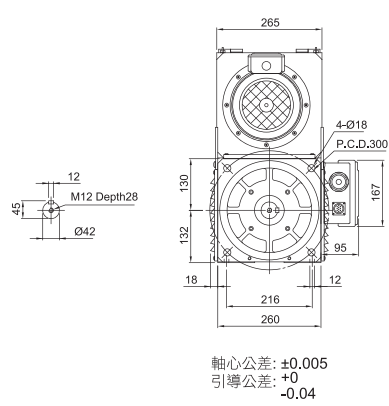


Motor	SVMA-132S	SVMA-132M	SVMA-132L	SVMA-132X
Rated voltage U_N	220 / 380	220 / 380	220 / 380	220 / 380
Rated power output P_N	22kw	30kw	37kw	45kw
Rated speed N_N	1500rpm			
Rated torque M_N	138Nm	189Nm	233Nm	284Nm
Rated current I_N	79.05/45.76	105.94/61.33	130.6/75.4	156.21/90.44
Power factor	0.83	0.835	0.835	0.84
Efficiency	0.88	0.88	0.89	0.9
Max speed N_{max} Standard bearing	5000rpm			
Weight	143kg	159kg	188kg	210kg
Rated inertia J	650kgcm ²	770kgcm ²	1010kgcm ²	1200kgcm ²
Protection	IP23			
Fan Rated voltage UL Rated current Frequency fL	220/380V 2/1.15A 50/60HZ			

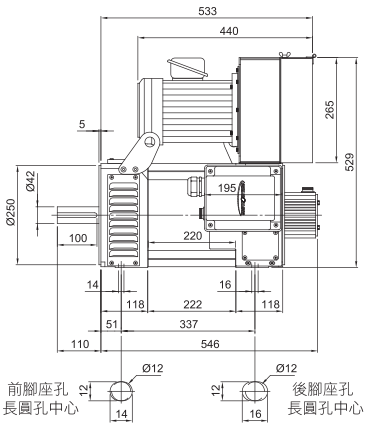
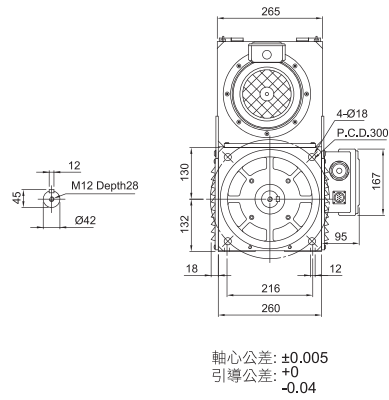
Motor	Rated speed	Speed during Field weakening	Rated torque	Rated current (220/380v)	Rated power	Moment of inertia	Weight approx
	M_{rated}	$n1$	M_{rated}	I_{rated}	P_{rated}	J	W
TYPE	rpm	rpm	Nm	A	KW	kg-cm ²	kg
SVMA-132S-10	1000	2000	142	53.89/31.20	15	650	143
SVMA-132S-15	1500	3000	138	79.05/45.76	22	650	143
SVMA-132S-20	2000	4000	142	107.8/62.4	30	650	143
SVMA-132M-10	1000	2000	208	78.57/45.49	22	770	159
SVMA-132M-15	1500	3000	189.3	107.1/62	30	770	159
SVMA-132M-20	2000	4000	175	132.1/76.5	37	770	159
SVMA-132L-10	1000	2000	284	105.94/61.33	30	1010	188
SVMA-132L-15	1500	3000	233.5	130.6/75.4	37	1010	188
SVMA-132L-20	2000	4000	213	158.91/92.00	45	1010	188
SVMA-132X-10	1000	2000	350	128.4/74.4	37	1200	210
SVMA-132X-15	1500	3000	284	156.21/90.44	45	1200	210
SVMA-132X-20	2000	4000	260	190.92/110.53	55	1200	210

※ 註：本公司保留針對規格設計的修改權利，如有變更恕不另通知。

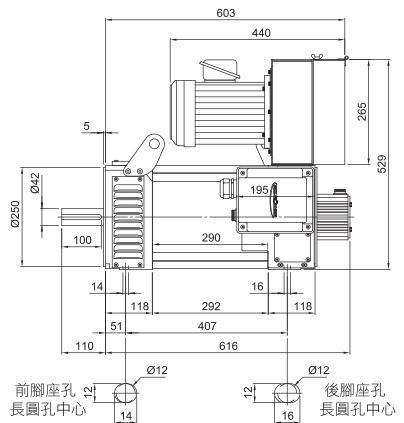
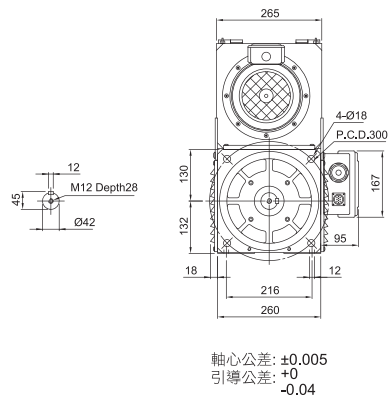
The company reserves the right to modify the specifications/design, subject to change without further notice.



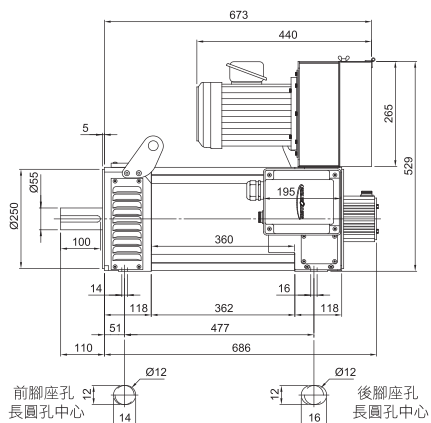
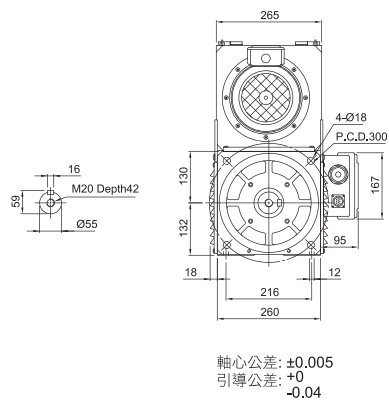
IP23-SVMA-132S



IP23-SVMA-132M

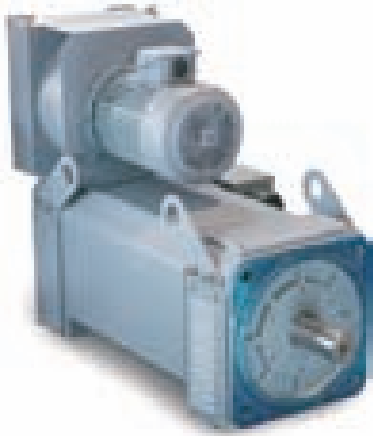


IP23-SVMA-132L



IP23-SVMA-132X

SVMA



Motor	SVMA-160S	SVMA-160M	SVMA-160L
Rated voltage U_N	220 / 380	220 / 380	220 / 380
Rated power output P_N	55kw	65kw	75kw
Rated speed N_N	1500rpm		
Rated torque M_N	347Nm	410Nm	473Nm
Rated current I_N	193.22/111.87	225.85/130.75	257.49/149.07
Power factor	0.83	0.83	0.84
Efficiency	0.9	0.91	0.91
Max speed N_{max} Standard bearing	5000rpm		
Weight	289kg	325kg	350kg
Rated inertia J	1860kgcm ²	2300kgcm ²	2560kgcm ²
Protection	IP23		
Fan Rated voltage UL Rated current Frequency f_L	220/380V 4/2.3A 50/60HZ		

Motor	Rated speed	Speed during Field weakening	Rated torque	Rated current (220/380v)	Rated power	Moment of inertia	Weight approx
	n_{rated}	n_1	M_{rated}	I_{rated}	P_{rated}	J	W
TYPE	rpm	rpm	Nm	A	KW	kg-cm ²	kg
SVMA-160S-10	1000	2000	426	158.09/91.53	45	1860	260
SVMA-160S-15	1500	3000	347	193.22/111.87	55	1860	260
SVMA-160S-20	2000	4000	307	228.35/132.21	65	1860	260
SVMA-160M-10	1000	2000	520	191.10/110.64	55	2300	315
SVMA-160M-15	1500	3000	410	225.85/130.75	65	2300	315
SVMA-160M-20	2000	4000	378	277.96/160.93	80	2300	315
SVMA-160L-10	1000	2000	568	205.99/119.26	60	2560	370
SVMA-160L-15	1500	3000	473	257.49/149.07	75	2560	370
SVMA-160L-20	2000	4000	426	308.99/178.89	90	2560	370

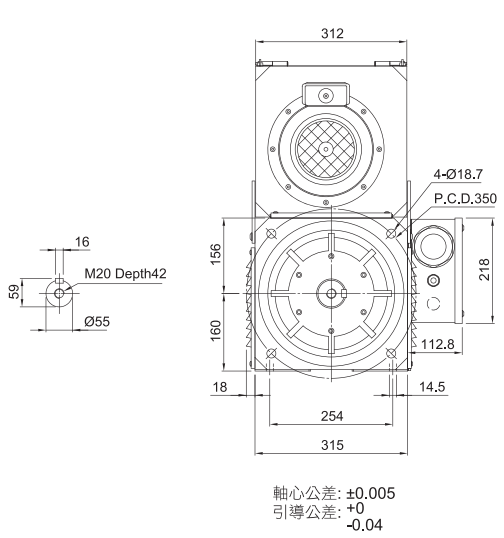
※ 註：本公司保留針對規格設計的修改權利，如有變更恕不另通知。

The company reserves the right to modify the specifications/design, subject to change without further notice.

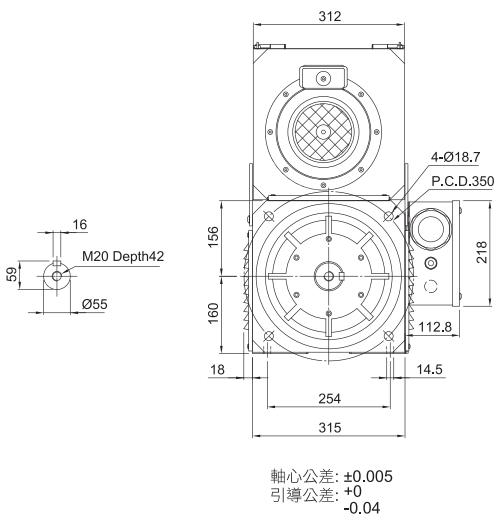
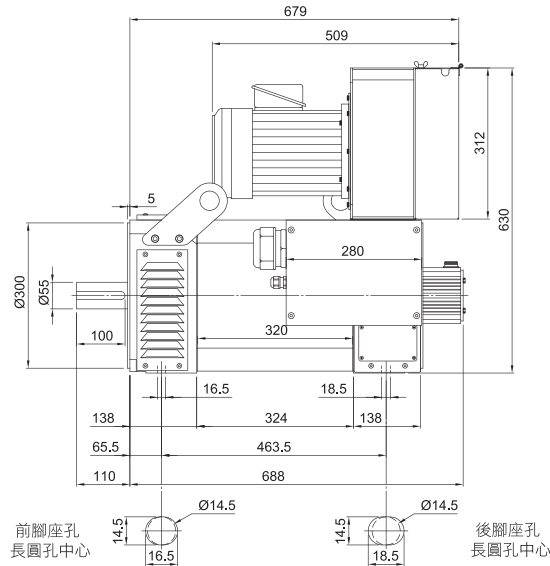
SVMA-160 SERIES

Servo motors with 4 poles
Rated power output 45~90kw

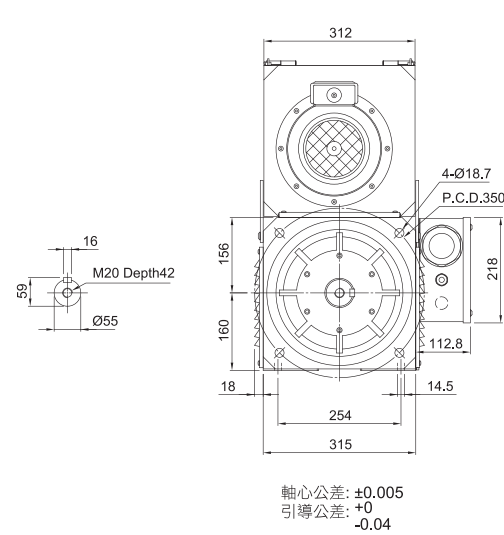
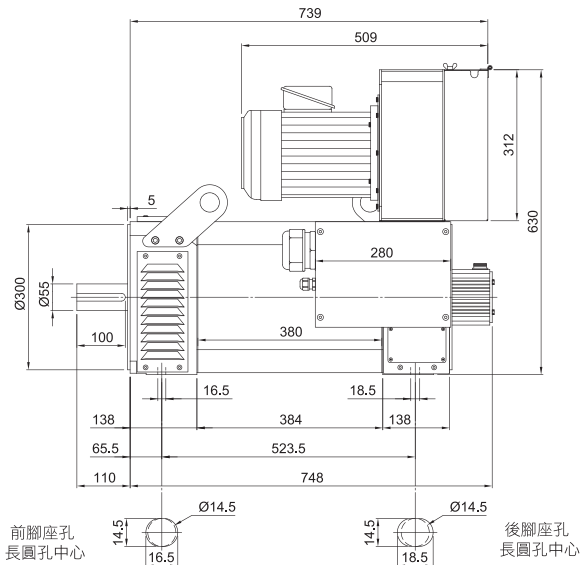
3 - 4



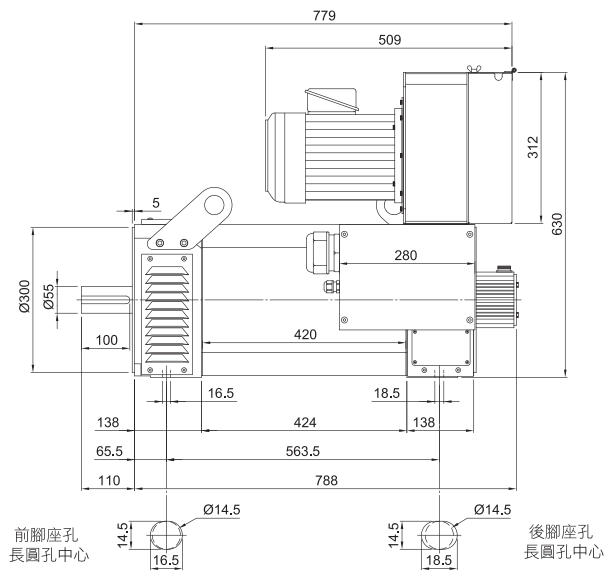
IP23-SVMA-160S



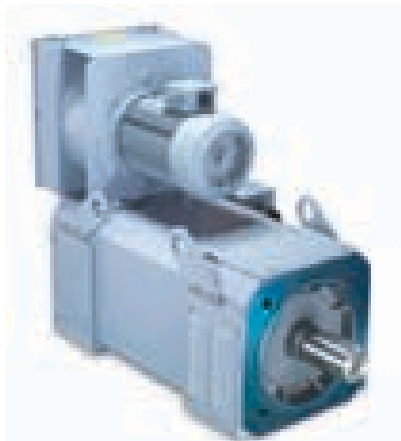
IP23-SVMA-160M



IP23-SVMA-160L



SVMA

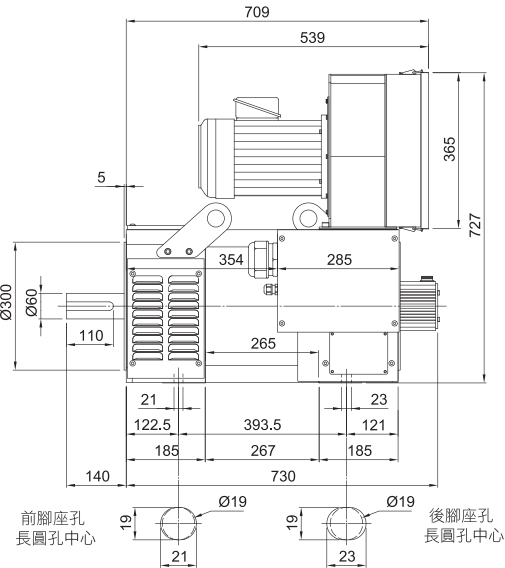
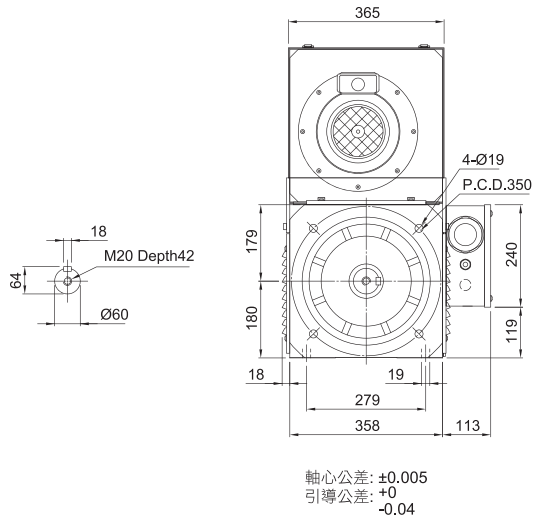


Motor	SVMA-180S	SVMA-180M	SVMA-180L
Rated voltage U_N	220 / 380	220 / 380	220 / 380
Rated power output P_N	80kw	110kw	130kw
Rated speed N_N	1500rpm		
Rated torque M_N	504Nm	694Nm	820Nm
Rated current I_N	271.67/157.28	373.54/216.26	436.72/252.84
Power factor	0.84	0.84	0.84
Efficiency	0.92	0.92	0.93
Max speed N_{max} Standard bearing	5000rpm		
Weight	378kg	450kg	510kg
Rated inertia J	5030kgcm ²	6900kgcm ²	7770kgcm ²
Protection	IP23		
Fan Rated voltage UL Rated current Frequency fL	220/380V 7/4A 50/60HZ		

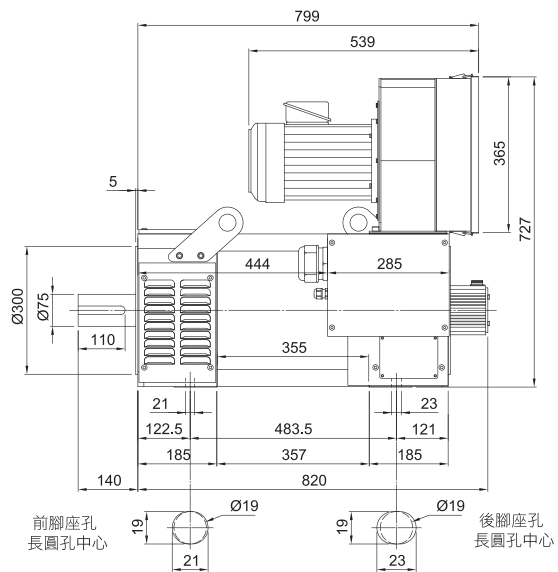
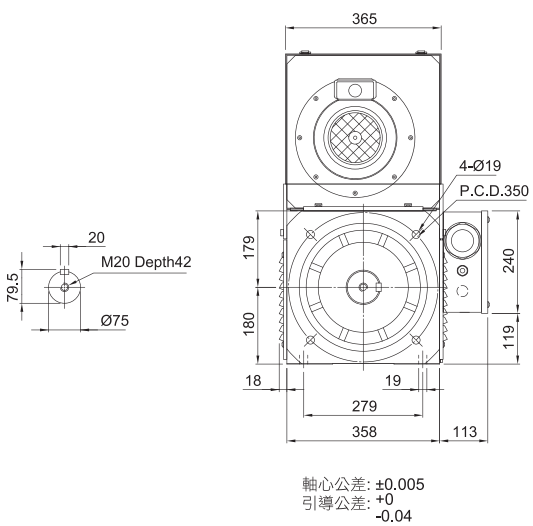
Motor	Rated speed	Speed during Field weakening	Rated torque	Rated current (220/380v)	Rated power	Moment of inertia	Weight approx
	M_{rated}	$n1$	M_{rated}	I_{rated}	P_{rated}	J	W
TYPE	rpm	rpm	Nm	A	KW	kg-cm ²	kg
SVMA-180S-10	1000	2000	568	203.75/117.96	60	5030	470
SVMA-180S-15	1500	3000	504	271.67/157.28	80	5030	470
SVMA-180S-20	2000	4000	520	373.55/216.26	110	5030	470
SVMA-180M-10	1000	2000	757	271.67/157.28	80	6666	560
SVMA-180M-15	1500	3000	694	373.54/216.26	110	6666	560
SVMA-180M-20	2000	4000	686	492.40/285.07	145	6666	560
SVMA-180L-10	1000	2000	899	319.14/184.76	95	7777	605
SVMA-180L-15	1500	3000	820	436.72/252.84	130	7777	605
SVMA-180L-20	2000	4000	805	571.10/330.63	170	7777	605

※ 註：本公司保留針對規格設計的修改權利，如有變更恕不另通知。

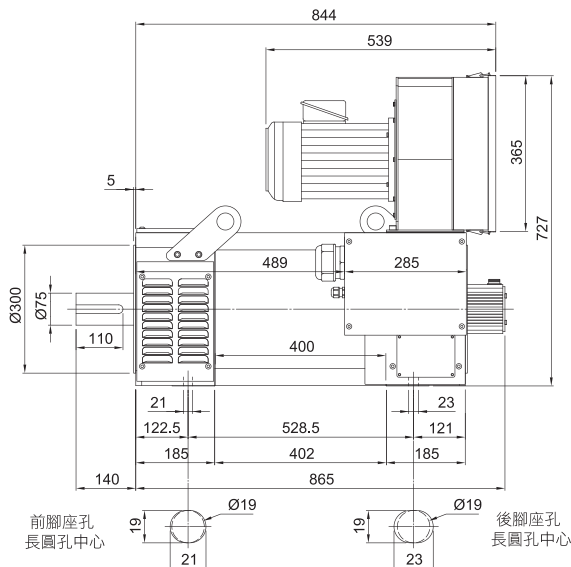
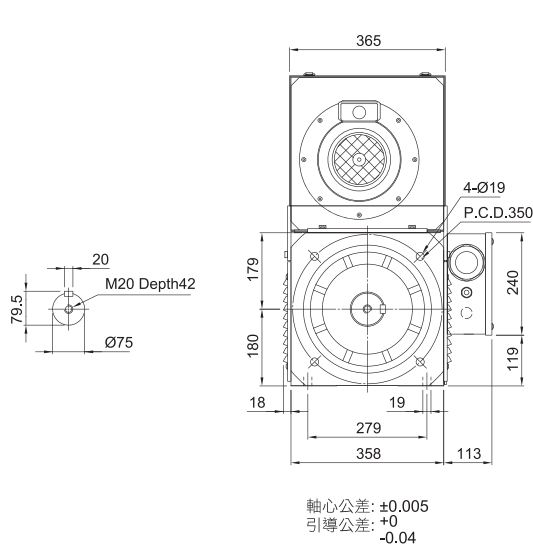
The company reserves the right to modify the specifications/design, subject to change without further notice.



IP23-SVMA-180S



IP23-SVMA-180M



IP23-SVMA-180L

SVMA



Motor	SVMA-225S	SVMA-225M	SVMA-225L
Rated voltage U_N	220 / 380	220 / 380	220 / 380
Rated power output P_N	150kw	190kw	230kw
Rated speed N_N	1500rpm		
Rated torque M_N	946Nm	1199Nm	1451 Nm
Rated current I_N	481.35/278.68	606.48/351.12	741.92/429.53
Power factor	0.87	0.87	0.86
Efficiency	0.94	0.945	0.946
Max speed N_{max} Standard bearing	4500rpm		
Weight	726kg	840kg	960kg
Rated inertia J	1479kgcm ²	1938kgcm ²	2326kgcm ²
Protection	IP23		
Fan Rated voltage UL Rated current Frequency fL	220/380V 7/4A 50/60HZ		

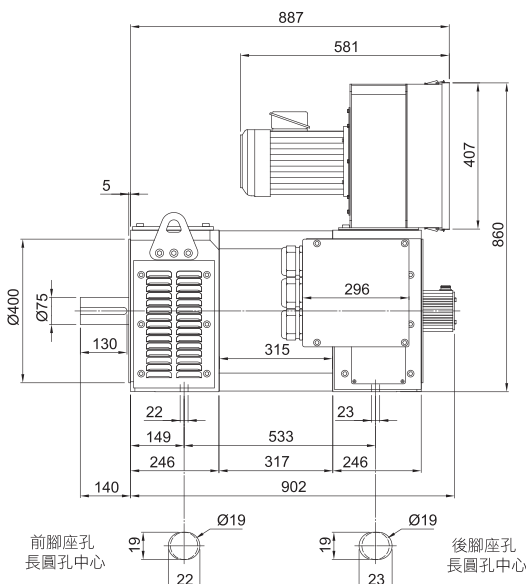
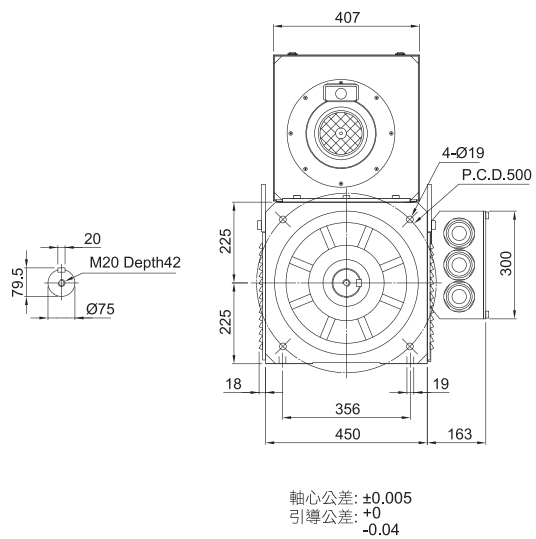
Motor	Rated speed	Speed during Field weakening	Rated torque	Rated current (220/380v)	Rated power	Moment of inertia	Weight approx
	M_{rated}	$n1$	M_{rated}	I_{rated}	P_{rated}	J	W
TYPE	rpm	rpm	Nm	A	KW	kg-cm ²	kg
SVMA-225S-10	1000	1800	1040	352.99/204.36	110	1479	726
SVMA-225S-15	1500	2500	945	481.35/278.68	150	1479	726
SVMA-225S-20	2000	3400	828	561.57/325.12	175	1479	726
SVMA-225M-10	1000	1800	1325	446.89/258.72	140	1938	840
SVMA-225M-15	1500	2500	1199	606.48/351.12	190	1938	840
SVMA-225M-20	2000	3400	1159	782.06/452.77	245	1938	840
SVMA-225L-10	1000	1800	1562	532.24/308.14	165	2326	960
SVMA-225L-15	1500	2500	1451	741.92/429.53	230	2326	960
SVMA-225L-20	2000	3400	1363	929.03/537.85	288	2326	960

※ 註：本公司保留針對規格設計的修改權利，如有變更恕不另通知。

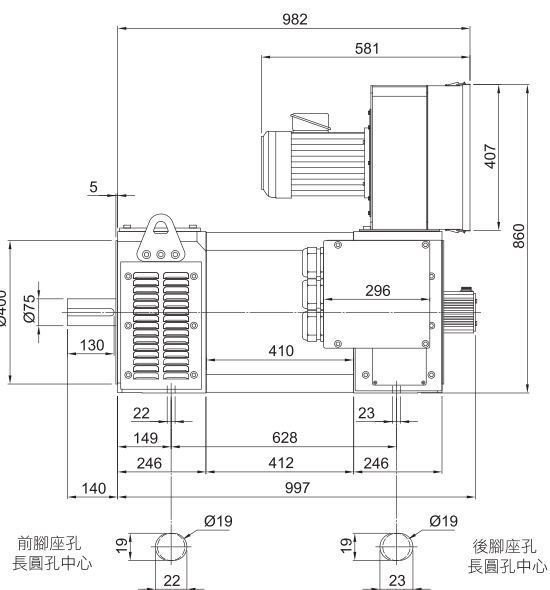
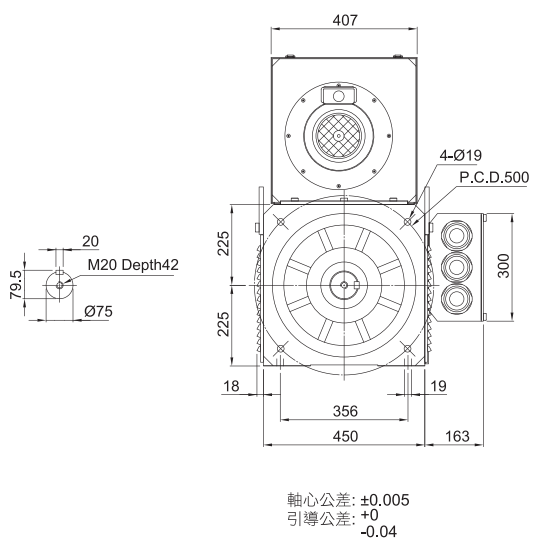
The company reserves the right to modify the specifications/design, subject to change without further notice.

SVMA-225 SERIES

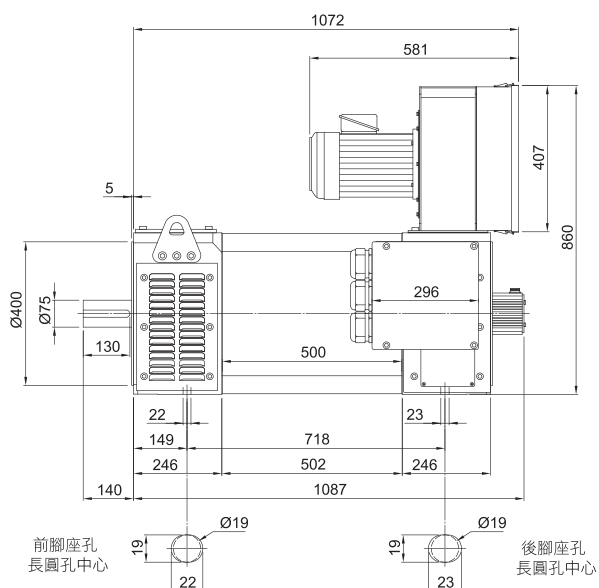
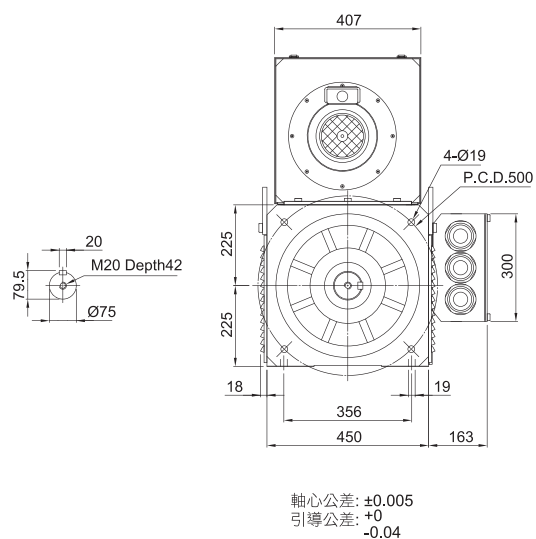
Servo motors with 4 poles
Rated power output 110~288kw



IP23-SVMA-225S

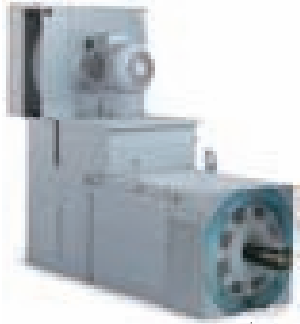


IP23-SVMA-225M



IP23-SVMA-225L

SVMA



Motor	SVMA-280S	SVMA-280M	SVMA-280L	SVMA-280X	SVMA-280XL
Rated voltage U_N	400V	400V	400V	400V	400V
Rated power output P_N	165kw	199kw	221kw	243kw	265kw
Rated speed N_N	1000rpm				
Rated torque M_N	1580Nm	1980Nm	2200Nm	2323Nm	2534Nm
Rated current I_N	386A	466A	517A	569A	621A
Power factor	0.83	0.84	0.83	0.83	0.84
Max speed N_{max} Standard bearing	2800rpm				
Weight	1350kg	1445kg	1580kg	1650kg	1800kg
Rated inertia J	1370kgm ²	1650kgm ²	1820kgm ²	1970kgm ²	2140kgm ²
Protection	IP23				
Fan Rated voltage UL Rated current Frequency fL	400V 13A 50/60HZ				

Motor	Rated speed	Speed during Field weakening	Rated torque	Rated current (400v)	Rated power	Moment of inertia	Weight approx
	M_{rated} rpm	$n1$ rpm	M_{rated} Nm	I_{rated} A	P_{rated} KW	J kg-m ²	W kg
TYPE	rpm	rpm	Nm	A	KW	kg-m ²	kg
SVMA-280S-5.8	580	900	1640	224	100	1370	1350
SVMA-280S-6.5	650	1000	1640	250	112	1370	1350
SVMA-280S-10	1000	1500	1574	361	165	1370	1350
SVMA-280M-5.8	580	900	1980	288	120	1650	1445
SVMA-280M-6.5	650	1000	1980	319	135	1650	1445
SVMA-280M-10	1000	1500	1901	466	199	1650	1445
SVMA-280L-5.8	580	900	2200	320	134	1820	1580
SVMA-280L-6.5	650	1000	2200	354	150	1820	1580
SVMA-280L-10	1000	1500	2112	517	221	1820	1580
SVMA-280X-5.8	580	900	2420	352	147	1970	1650
SVMA-280X-6.5	650	1000	2420	390	165	1970	1650
SVMA-280X-10	1000	1500	2323	569	243	1970	1650
SVMA-280XL-5.8	580	900	2640	384	160	2140	1800
SVMA-280XL-6.5	650	1000	2640	425	180	2140	1800
SVMA-280XL-10	1000	1500	2534	621	265	2140	1800

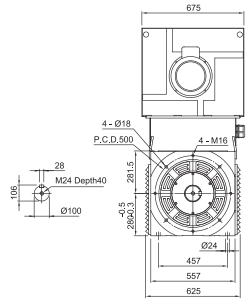
※ 註：本公司保留針對規格設計的修改權利，如有變更恕不另通知。

The company reserves the right to modify the specifications/design, subject to change without further notice.

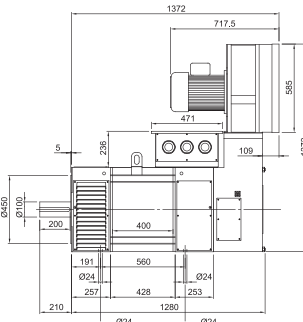
SVMA-280 LOWER INERTIA

Servo motors with 4 poles
Rated power output 100~265kw

9 - 10

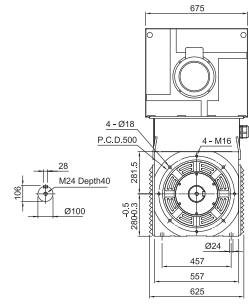


軸心公差: ± 0.005
引導公差: $+0$
 -0.04

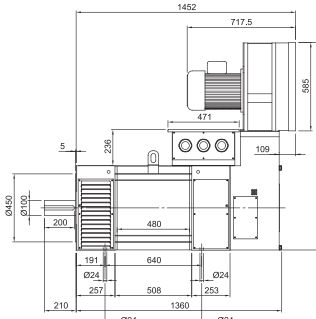


前腳座孔 長圓孔中心
後腳座孔 長圓孔中心

IP23-SVMA-280S
低慣量

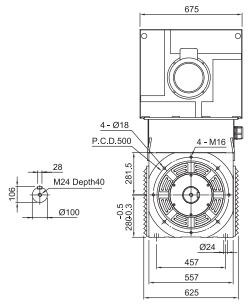


軸心公差: ± 0.005
引導公差: $+0$
 -0.04

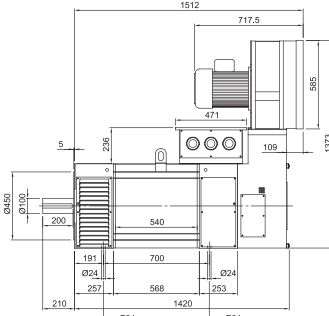


前腳座孔 長圓孔中心
後腳座孔 長圓孔中心

IP23-SVMA-280M
低慣量

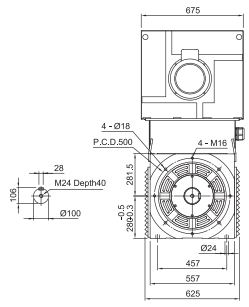


軸心公差: ± 0.005
引導公差: $+0$
 -0.04

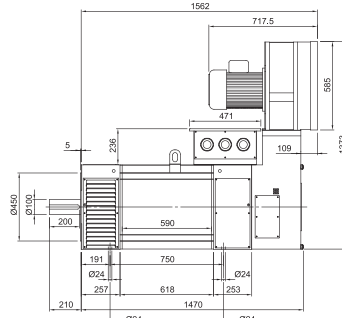


前腳座孔 長圓孔中心
後腳座孔 長圓孔中心

IP23-SVMA-280L
低慣量

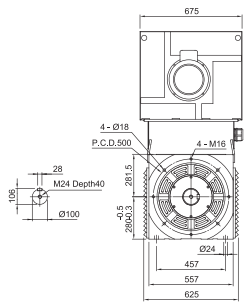


軸心公差: ± 0.005
引導公差: $+0$
 -0.04

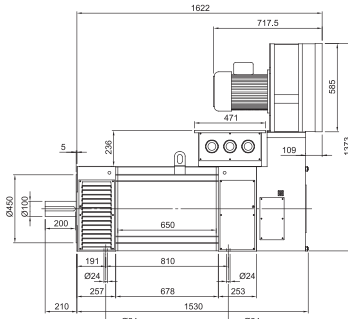


前腳座孔 長圓孔中心
後腳座孔 長圓孔中心

IP23-SVMA-280X
低慣量



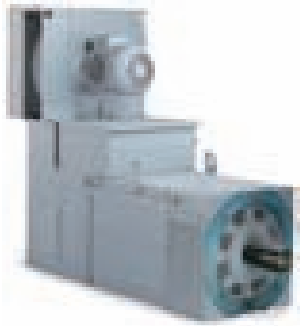
軸心公差: ± 0.005
引導公差: $+0$
 -0.04



前腳座孔 長圓孔中心
後腳座孔 長圓孔中心

IP23-SVMA-280XL
低慣量

SVMA



Motor	SVMA-280S	SVMA-280M	SVMA-280L	SVMA-280X
Rated voltage U_N	400V	400V	400V	400V
Rated power output P_N	370kw	440kw	500kw	550kw
Rated speed N_N	1500rpm			
Rated torque M_N	2335Nm	2776Nm	3155Nm	3471Nm
Rated current I_N	663A	788A	895A	983A
Power factor	0.85			
Max speed N_{max} Standard bearing	3000rpm			
Weight	1350kg	1445kg	1655kg	1830kg
Rated inertia J	3.68kgm ²	4.34kgm ²	5.25kgm ²	5.75kgm ²
Protection	IP23			
Fan Rated voltage UL Rated current Frequency fL	400V 13A 50/60HZ			

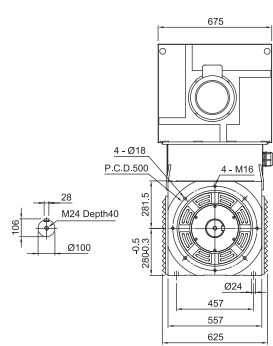
Motor	Rated speed	Speed during Field weakening	Rated torque	Rated current (400v)	Rated power	Moment of inertia	Weight approx
	M_{rated}	$n1$	M_{rated}	I_{rated}	P_{rated}	J	W
TYPE	rpm	rpm	Nm	A	KW	kg-m ²	kg
SVMA-280S-5.8	580	1400	2335	256	143	3.68	1350
SVMA-280S-10	1000	2400		441	246	3.68	1350
SVMA-280S-15	1500	3000		663	370	3.68	1350
SVMA-280M-5.8	580	1400	2776	303	169	4.34	1445
SVMA-280M-10	1000	2400		525	293	4.34	1445
SVMA-280M-15	1500	3000		788	440	4.34	1445
SVMA-280L-5.8	580	1400	3155	345	193	5.25	1655
SVMA-280L-10	1000	2400		596	333	5.25	1655
SVMA-280L-15	1500	3000		895	500	5.25	1655
SVMA-280X-5.8	580	1400	3471	379	212	5.75	1830
SVMA-280X-10	1000	2400		654	366	5.75	1830
SVMA-280X-15	1500	3000		983	550	5.75	1830

※ 註：本公司保留針對規格設計的修改權利，如有變更恕不另通知。

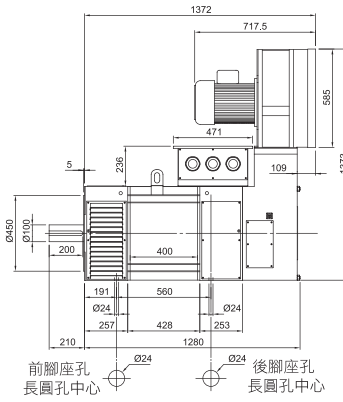
The company reserves the right to modify the specifications/design, subject to change without further notice.

SVMA-280 MIDDLE INERTIA

Servo motors with 4 poles
SVMA Rated power output 143~550kw



軸心公差: ± 0.005
引導公差: $+0$
-0.04

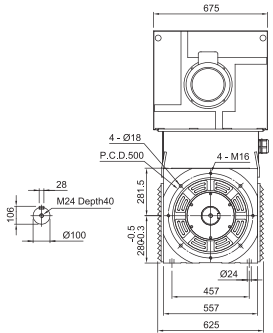


前腳座孔
長圓孔中心

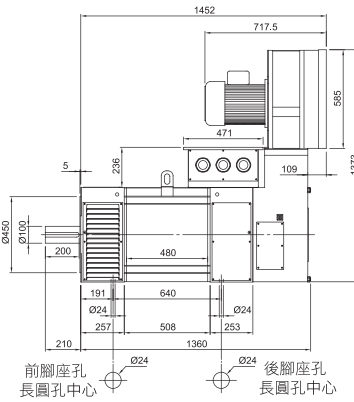
後腳座孔
長圓孔中心

IP23-SVMA-280S

中慣量



軸心公差: ± 0.005
引導公差: $+0$
-0.04

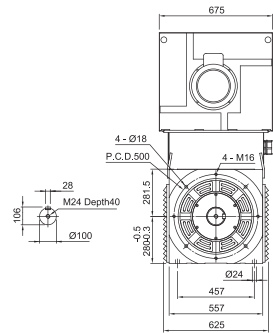


前腳座孔
長圓孔中心

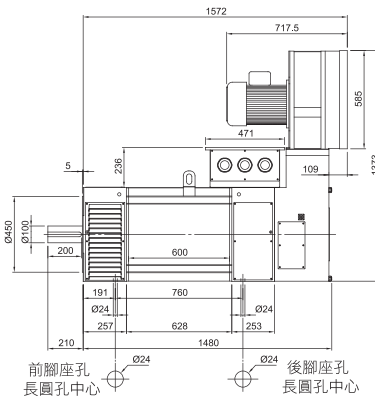
後腳座孔
長圓孔中心

IP23-SVMA-280M

中慣量



軸心公差: ± 0.005
引導公差: $+0$
-0.04

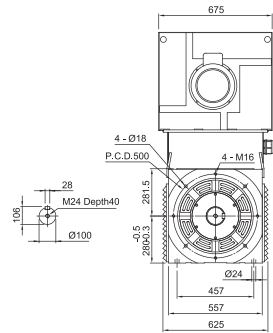


前腳座孔
長圓孔中心

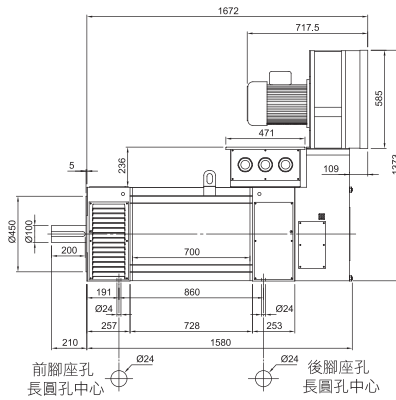
後腳座孔
長圓孔中心

IP23-SVMA-280L

中慣量



軸心公差: ± 0.005
引導公差: $+0$
-0.04



前腳座孔
長圓孔中心

後腳座孔
長圓孔中心

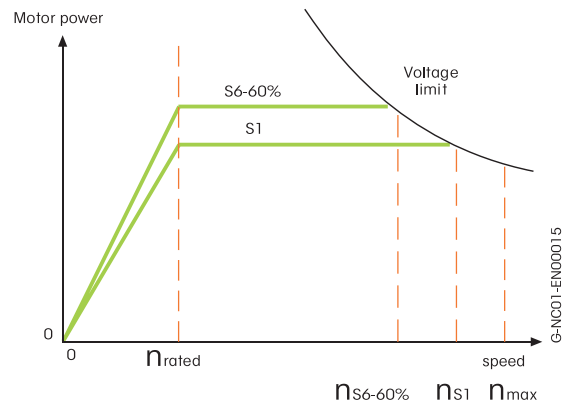
IP23-SVMA-280X

中慣量

Asynchronous Motors
AC SERVO SVMA IP23

Motor	Rated speed	Attainable speed for rated power in duty type in accordance with IEC	
	Rated speed		
	n_{rated}	n_{s1}	n_{max}
TYPEr	rpm	rpm	rpm
SVMA -132S-10	1000	2000	5000
SVMA -132S-15	1500	3000	5000
SVMA -132S-20	2000	4000	5000
SVMA -132M-10	1000	2000	5000
SVMA -132M-15	1500	3000	5000
SVMA -132M-20	2000	4000	5000
SVMA -132L-10	1000	2000	5000
SVMA -132L-15	1500	3000	5000
SVMA -132L-20	2000	4000	5000
SVMA -132X-10	1000	2000	5000
SVMA -132X-15	1500	3000	5000
SVMA -132X-20	2000	4000	5000
SVMA -160S-10	1000	2000	5000
SVMA -160S-15	1500	3000	5000
SVMA -160S-20	2000	4000	5000
SVMA -160M-10	1000	2000	5000
SVMA -160M-15	1500	3000	5000
SVMA -160M-20	2000	4000	5000
SVMA -160L-10	1000	2000	5000
SVMA -160L-15	1500	3000	5000
SVMA -160L-20	2000	4000	5000
SVMA -180S-10	1000	2000	5000
SVMA -180S-15	1500	3000	5000
SVMA -180S-20	2000	3500	5000
SVMA -180M-10	1000	2000	5000
SVMA -180M-15	1500	3000	5000
SVMA -180M-20	2000	3500	5000
SVMA -180L-10	1000	2000	5000
SVMA -180L-15	1500	3000	5000
SVMA -180L-20	2000	3500	5000
SVMA -225S-10	1000	1800	4500
SVMA -225S-15	1500	2500	4500
SVMA -225S-20	2000	3400	4500
SVMA -225M-10	1000	1800	4500
SVMA -225M-15	1500	2500	4500
SVMA -225M-20	2000	3400	4500
SVMA -225L-10	1000	1800	4500
SVMA -225L-15	1500	2500	4500
SVMA -225L-20	2000	3400	4500
SVMA -280S-5.8	580	900	2800
SVMA -280S-6.5	650	1000	2800
SVMA -280S-10	1000	1500	2800
SVMA -280M-5.8	580	900	2800
SVMA -280M-6.5	650	1000	2800
SVMA -280M-10	1000	1500	2800
SVMA -280L-5.8	580	900	2800
SVMA -280L-6.5	650	1000	2800
SVMA -280L-10	1000	1500	2800
SVMA -280X-5.8	580	900	2800
SVMA -280X-6.5	650	1000	2800
SVMA -280X-10	1000	1500	2800
SVMA -280XL-5.8	580	900	2800
SVMA -280XL-6.5	650	1000	2800
SVMA -280XL-10	1000	1500	2800
SVMA -280S-5.8	580	1400	3000
SVMA -280S-10	1000	2400	3000
SVMA -280S-15	1500	3000	3000
SVMA -280M-5.8	580	1400	3000
SVMA -280M-10	1000	2400	3000
SVMA -280M-15	1500	3000	3000
SVMA -280L-5.8	580	1400	3000
SVMA -280L-10	1000	2400	3000
SVMA -280L-15	1500	3000	3000
SVMA -280X-5.8	580	1400	3000
SVMA -280X-10	1000	2400	3000
SVMA -280X-15	1500	3000	3000

Characteristic curves



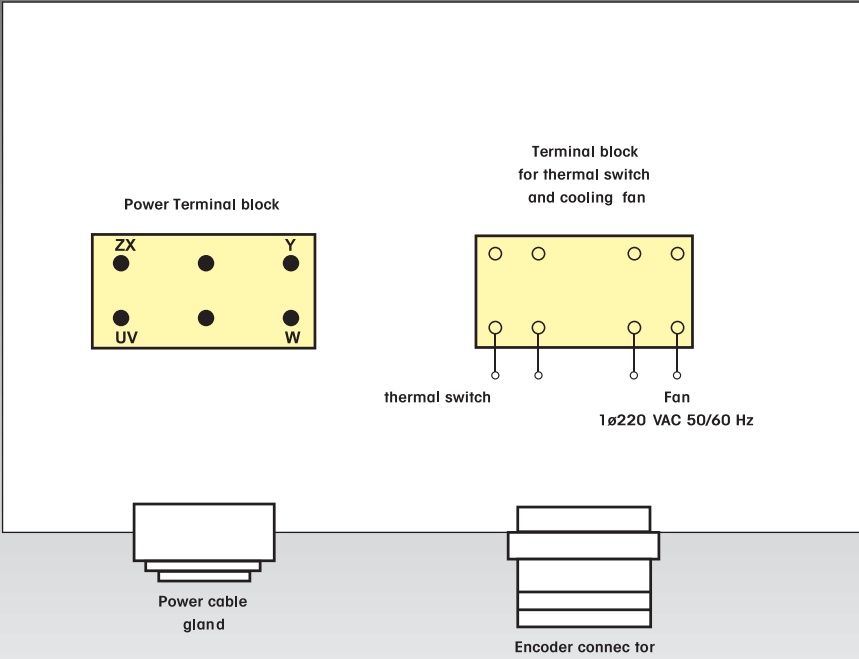
speed/power graph for AC motors 1)

The graph shows the typical relationship between motor speed drive power in SVM motors for the following duty types in accordance with IEC 60034-1

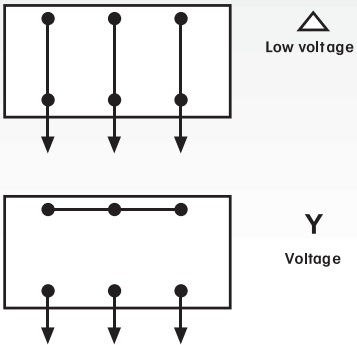
S1 : Continuous duty

S6 : Continuous duty with intermittent loading and a relative duty factor 60%(S6~60%) or 40%(S6~40%) with a maximum duty cycle time of 10 minutes.

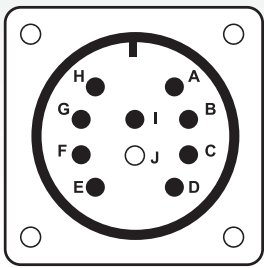
Terminal box



Connection of power block



Description of encoder connector



	Line Drive r	push-pul l
H	+5V	+Vcc
I	0V	0V
A	A	A
B	A̅	0V
C	B	B
D	B̅	0V
E	Z	Z
F	Z̅	0V
G	Shield	Shield



SOLPOWER MACHINE ELECTRONIC CORP.

晟昌機電股份有限公司

No.89, Ln.1005, Sec 1, Hemu Rd., Qingshui Dist.,

Taichung City 43641, Taiwan(R.O.C)

43641 台中市清水區和睦路一段1005巷89號

TEL: +886-4-2620-2888

FAX: +886-4-2620-2777

www.solpowermotor.com

E-mail: sol.power@solpower.com.tw

